

Springfield Club Game Afternoon Session September 15, 2022

EVENT LEADERS

1	48.50	60.63%	Lynda Straker - Janice McBean
2	46.00	57.50%	Edna Boothe - Delius Wilson
3	45.00	56.25%	Lemuel Copeland - Paul Watford
4	44.50	55.63%	Valerie Brooks - Doris Duperly
5	44.00	55.00%	Martha Hewitt - Calvin Hewitt
6	40.50	50.63%	Annetta Wallace - Dianne Edgerton-Norman

N-S

-----  
 DATE>September 15, 2022 | CLUB NO.> | 09/15/2022 17:31 | EVENT CODE>A  
 -----  
 CITY>Queens, NY | RATING>Club Masterpoint (Open) | MOVEMENT>MITCHELL  
 -----  
 AVE> 40.0 | TOP> 4 | MP LIMITS>None | TOURN>  
 -----  
 PAIRS> 6

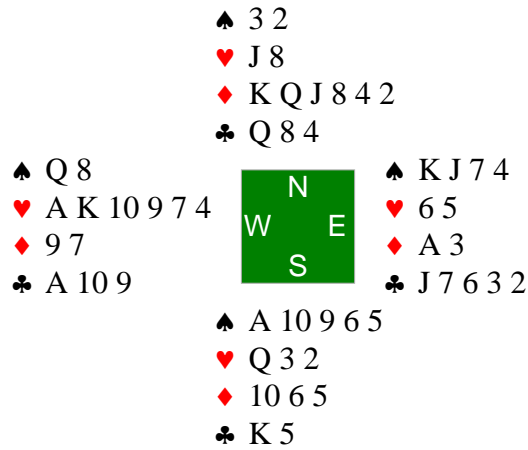
No	Name	Name	Section Rank	Score	Pct	Sect. Awards
1	Beverly Session-Kelly	Victoria Williams		34.00	42.50	
2	Martha Hewitt	Calvin Hewitt	2	44.00	55.00	0.42
3	Lynda Straker	Janice McBean	1	48.50	60.63	0.60
4	Annetta Wallace	Dianne Edgerton-Norman		40.50	50.63	
5	Traci Stukes	Harry Gaines		35.50	44.38	
6	Steven Bond	Philippe Gerdes		37.50	46.88	
Totals				240.00		

E-W

-----  
 DATE>September 15, 2022 | CLUB NO.> | 09/15/2022 17:31 | EVENT CODE>A  
 -----  
 CITY>Queens, NY | RATING>Club Masterpoint (Open) | MOVEMENT>MITCHELL  
 -----  
 AVE> 40.0 | TOP> 4 | MP LIMITS>None | TOURN>  
 -----  
 PAIRS> 6

No	Name	Name	Section Rank	Score	Pct	Sect. Awards
1	Valerie Brooks	Doris Duperly		44.50	55.63	
2	Lemuel Copeland	Paul Watford	2	45.00	56.25	0.42
3	Patricia Jackson	Marion Mercer		33.00	41.25	
4	John Demos	Lois Wright		37.00	46.25	
5	Ronald Prester	Diana Green		34.50	43.13	
6	Edna Boothe	Delius Wilson	1	46.00	57.50	0.60
Totals				240.00		


**Board 1**  
 North Deals  
 None Vul



EW 3♥; EW 4♣; NS 2♦; EW 1♠; Par -140

Contract	Score		Matchpoints		Pair	Pair
	N-S	E-W	N-S	E-W		
5♦ N -2		100	4.00	0.00	5-Stukes-Gaines	3-Jackson-Mercer
3♥ W 3		140	2.00	2.00	1-Session-Kelly-Williams	1-Brooks-Duperly
3♥ W 3		140	2.00	2.00	3-Straker-McBean	4-Demos-Wright
3♥ W 3		140	2.00	2.00	4-Wallace-Edgerton-Norman	6-Boothe-Wilson
2♥ W 4		170	0.00	4.00	6-Bond-Gerdes	5-Prester-Green

**Board 2**  
 East Deals  
 N-S Vul

♠ 4 3 2 ♥ Q J ♦ K Q 3 2 ♣ 9 8 6 4		♠ A Q 7 ♥ 8 4 2 ♦ A J 10 8 7 ♣ Q 10  ♠ J 9 6 ♥ K 7 5 3 ♦ 6 4 ♣ K J 7 2
--	---	--


  

♠ K 10 8 5 ♥ A 10 9 6 ♦ 9 5 ♣ A 5 3
--

N 4N; S 3N; NS 3♠; NS 3♥; NS 4♦; Par +630

Contract	Score		Matchpoints			Pair
	N-S	E-W	N-S	E-W	N-S	
2♦ N 5	150		3.50	0.50	3-Straker-McBean	4-Demos-Wright
2♦ W -3	150		3.50	0.50	5-Stukes-Gaines	3-Jackson-Mercer
1♥ S 3	140		2.00	2.00	6-Bond-Gerdes	5-Prester-Green
1NT S 2	120		1.00	3.00	4-Wallace-Edgerton-Norman	6-Boothe-Wilson
4♥ S -1		100	0.00	4.00	1-Session-Kelly-Williams	1-Brooks-Duperly

**Board 3**  
 South Deals  
 E-W Vul

♠ Q 6 4 2 ♥ 9 ♦ J 10 9 ♣ Q 10 6 5 3		♠ K 10 3 ♥ K J 10 8 2 ♦ 7 6 3 ♣ A 8  ♠ A 9 ♥ A 7 3 ♦ A Q 8 4 ♣ K 9 4 2  ♠ J 8 7 5 ♥ Q 6 5 4 ♦ K 5 2 ♣ J 7
--	---	--

EW 4♦; EW 4♣; NS 2♥; EW 1N; EW 1♠; Par -130

Contract	Score		Matchpoints		Pair	Pair
	N-S	E-W	N-S	E-W		
1 NT E -2	200		4.00	0.00	1-Session-Kelly-Williams	1-Brooks-Duperly
3 ♥ N 3	140		3.00	1.00	6-Bond-Gerdes	5-Prester-Green
3 ♥ N -1		50	2.00	2.00	3-Straker-McBean	4-Demos-Wright
1 NT E 1		90	1.00	3.00	4-Wallace-Edgerton-Norman	6-Boothe-Wilson
2 ♦ E 4		130	0.00	4.00	5-Stukes-Gaines	3-Jackson-Mercer

**Board 4**

West Deals

Both Vul

♠ A Q 2	♠ J 10 9 7 3											
♥ A J 8 5 2	♥ 7 4 3											
♦ 5	♦ Q 10 6 2											
♣ A K J 9	♣ 5											
		<table style="border: 1px solid black; background-color: #006400; color: white; width: 40px; height: 40px; margin: 0 auto;"> <tr><td></td><td>N</td><td></td></tr> <tr><td>W</td><td></td><td>E</td></tr> <tr><td></td><td>S</td><td></td></tr> </table>		N		W		E		S		♠ 8
	N											
W		E										
	S											
			♥ 10 9									
			♦ K J 9 8 7 3									
			♣ 8 7 6 3									
			♠ K 6 5 4									
			♥ K Q 6									
			♦ A 4									
			♣ Q 10 4 2									

EW 5♣; EW 3♥; EW 3♦; EW 1N; S 1♠; Par -600

Contract	Score		Matchpoints			Pair
	N-S	E-W	N-S	E-W	N-S	
3 NT W -4	400		4.00	0.00	6-Bond-Gerdes	5-Prester-Green
5 ♣ W -3	300		3.00	1.00	1-Session-Kelly-Williams	1-Brooks-Duperly
3 NT W -1	100		2.00	2.00	4-Wallace-Edgerton-Norman	6-Boothe-Wilson
3 ♠ N -1		100	1.00	3.00	3-Straker-McBean	4-Demos-Wright
1 ♥ W 2		110	0.00	4.00	5-Stukes-Gaines	3-Jackson-Mercer

**Board 5**  
North Deals  
N-S Vul

<p>♠ 10 6 2 ♥ A J 9 5 2 ♦ 7 6 3 ♣ K 4</p>		<p>♠ A J 9 7 4 ♥ 8 ♦ A K 10 8 2 ♣ A 3</p> <p>♠ Q 5 ♥ Q 10 7 6 3 ♦ 4 ♣ Q 10 6 5 2</p> <p>♠ K 8 3 ♥ K 4 ♦ Q J 9 5 ♣ J 9 8 7</p>
---	--	---

S 6♦; S 5N; NS 5♠; N 5♦; EW 3♥; N 2N; Par +500; EW 6♥×-3

Contract	Score		Matchpoints			Pair
	N-S	E-W	N-S	E-W	N-S	
4 ♠ N 5	650		4.00	0.00	5-Stukes-Gaines	1-Brooks-Duperly
4 ♠ N 4	620		3.00	1.00	4-Wallace-Edgerton-Norman	5-Prester-Green
2 ♠ N 4	170		2.00	2.00	1-Session-Kelly-Williams	6-Boothe-Wilson
1 ♦ N 5	150		1.00	3.00	2-Hewitt-Hewitt	2-Copeland-Watford
5 ♦ S -1		100	0.00	4.00	6-Bond-Gerdes	4-Demos-Wright

**Board 6**

East Deals


E-W Vul

<p>♠ 10 7 4 2 ♥ A 6 3 ♦ K Q 3 2 ♣ 5 2</p>		<p>♠ J 9 8 ♥ K Q 8 ♦ 5 ♣ K J 10 7 6 3</p> <p>♠ A K Q 5 ♥ J 9 7 5 4 2 ♦ 9 7 ♣ 9</p> <p>♠ 6 3 ♥ 10 ♦ A J 10 8 6 4 ♣ A Q 8 4</p>
---	--	---

EW 3♥; NS 4♣; EW 2♠; NS 1N; NS 2♦; Par +130

Contract	Score		Matchpoints			Pair	Pair
	N-S	E-W	N-S	E-W	N-S		
4 ♣ N 4	130		4.00	0.00	6-Bond-Gerdes	4-Demos-Wright	
3 ♦ S 3	110		3.00	1.00	2-Hewitt-Hewitt	2-Copeland-Watford	
4 ♥ E -1	100		2.00	2.00	4-Wallace-Edgerton-Norman	5-Prester-Green	
Pass	Pass		1.00	3.00	5-Stukes-Gaines	1-Brooks-Duperly	
5 ♣ N -1		50	0.00	4.00	1-Session-Kelly-Williams	6-Boothe-Wilson	

**Board 7**  
 South Deals  
 Both Vul

♠ A 9 5 ♥ J 7 ♦ 10 8 6 ♣ Q 10 8 4 2		♠ Q J 4 ♥ K Q 9 6 ♦ K 5 ♣ A K 7 5	♠ K 10 8 3 ♥ 8 5 3 2 ♦ Q J 9 2 ♣ 9
♠ 7 6 2 ♥ A 10 4 ♦ A 7 4 3 ♣ J 6 3			


NS 3N; NS 3♥; NS 3♣; NS 2♦; NS 1♠; Par +600

Contract	Score		Matchpoints		Pair	Pair
	N-S	E-W	N-S	E-W		
3 NT S 4	630		3.50	0.50	2-Hewitt-Hewitt	2-Copeland-Watford
3 NT S 4	630		3.50	0.50	6-Bond-Gerdes	4-Demos-Wright
3 NT N 3	600		2.00	2.00	1-Session-Kelly-Williams	6-Boothe-Wilson
2 NT S 3	150		1.00	3.00	4-Wallace-Edgerton-Norman	5-Prester-Green
1 ♣ N 2	90		0.00	4.00	5-Stukes-Gaines	1-Brooks-Duperly



**Board 8**


West Deals  
None Vul

♠ Q 7 6 3 ♥ 10 8 7 ♦ K 8 3 ♣ J 10 2		♠ K 9 8 5 ♥ 9 2 ♦ A Q J ♣ K Q 8 7  ♠ A J ♥ A Q 5 3 ♦ 9 7 5 4 2 ♣ 5 3  ♠ 10 4 2 ♥ K J 6 4 ♦ 10 6 ♣ A 9 6 4
--	---	--

NS 4♠; NS 3N; NS 3♥; NS 4♣; NS 1♦; Par +420

Contract	Score		Matchpoints		Pair	
	N-S	E-W	N-S	E-W	N-S	E-W
2 NT N 4	180		3.50	0.50	1-Session-Kelly-Williams	6-Boothe-Wilson
2 NT N 4	180		3.50	0.50	6-Bond-Gerdes	4-Demos-Wright
1 NT S 3	150		2.00	2.00	4-Wallace-Edgerton-Norman	5-Prester-Green
3 ♥ S -1		50	1.00	3.00	5-Stukes-Gaines	1-Brooks-Duperly
3 NT N -2		100	0.00	4.00	2-Hewitt-Hewitt	2-Copeland-Watford


**Board 9**  
 North Deals  
 E-W Vul

♠ Q 7 4 3 ♥ A 10 9 6 ♦ 7 5 4 ♣ 10 3		♠ A K 2 ♥ 5 2 ♦ A 10 9 8 6 3 ♣ Q 7  ♠ J 10 8 6 ♥ J 8 7 ♦ K Q J 2 ♣ 9 8  ♠ 9 5 ♥ K Q 4 3 ♦ — ♣ A K J 6 5 4 2
--	---	--

NS 4N; NS 5♣; NS 2♠; NS 2♥; NS 2♦; Par +430

Contract	Score		Matchpoints		Pair	Pair
	N-S	E-W	N-S	E-W		
3 NT S 5	460		4.00	0.00	3-Straker-McBean	3-Jackson-Mercer
3 NT N 4	430		3.00	1.00	2-Hewitt-Hewitt	1-Brooks-Duperly
5 ♣ S 6	420		2.00	2.00	5-Stukes-Gaines	6-Boothe-Wilson
3 ♣ S 6	170		1.00	3.00	1-Session-Kelly-Williams	5-Prester-Green
5 ♣ S -1		50	0.00	4.00	6-Bond-Gerdes	2-Copeland-Watford


**Board 10**  
 East Deals  
 Both Vul

♠ J 10 4 ♥ A 9 6 4 ♦ 8 4 2 ♣ K 6 4		♠ 9 8 6 5 3 ♥ Q 10 7 ♦ 9 5 3 ♣ 8 2  ♠ A 7 ♥ K J 8 3 2 ♦ Q J ♣ J 7 5 3  ♠ K Q 2 ♥ 5 ♦ A K 10 7 6 ♣ A Q 10 9
---	---	---

NS 3♠; EW 2♥; NS 3♦; NS 1♣; Par +140

Contract	Score		Matchpoints		Pair	
	N-S	E-W	N-S	E-W	N-S	E-W
3♥ E -2	200		4.00	0.00	3-Straker-McBean	3-Jackson-Mercer
2♥ E 2		110	3.00	1.00	1-Session-Kelly-Williams	5-Prester-Green
3♥ E 3		140	2.00	2.00	2-Hewitt-Hewitt	1-Brooks-Duperly
2NT S -3		300	0.50	3.50	5-Stukes-Gaines	6-Boothe-Wilson
4♣ S -3		300	0.50	3.50	6-Bond-Gerdes	2-Copeland-Watford

**Board 11**  
 South Deals  
 None Vul

♠ 6 4 3 ♥ K J 2 ♦ 7 6 ♣ J 10 7 5 3		♠ 9 7 ♥ Q 3 ♦ A 10 8 4 ♣ A K 8 6 4  ♠ K J 5 ♥ 10 9 7 6 4 ♦ K J 3 2 ♣ Q  ♠ A Q 10 8 2 ♥ A 8 5 ♦ Q 9 5 ♣ 9 2
---	---	---

NS 5N; NS 5♠; NS 4♦; NS 4♣; NS 2♥; Par +460

Contract	Score		Matchpoints		Pair	
	N-S	E-W	N-S	E-W	N-S	E-W
3 NT S 5	460		4.00	0.00	6-Bond-Gerdes	2-Copeland-Watford
4 ♠ S 4	420		3.00	1.00	1-Session-Kelly-Williams	5-Prester-Green
4 ♥ E -4	200		1.50	2.50	2-Hewitt-Hewitt	1-Brooks-Duperly
2 ♠ S 5	200		1.50	2.50	5-Stukes-Gaines	6-Boothe-Wilson
3 NT S -2		100	0.00	4.00	3-Straker-McBean	3-Jackson-Mercer

**Board 12**  
West Deals  
N-S Vul

<p>♠ A 4 3 ♥ J 9 7 5 ♦ K J ♣ Q 8 6 4</p>		<p>♠ Q 8 ♥ A Q 6 4 ♦ Q 10 7 5 3 ♣ J 5</p> <p>♠ 10 9 2 ♥ 8 ♦ A 9 6 4 2 ♣ A 10 7 3</p> <p>♠ K J 7 6 5 ♥ K 10 3 2 ♦ 8 ♣ K 9 2</p>
--	--	--

NS 3♥; NS 2♠; NS 1N; NS 1♦; EW 1♣; Par +140

Contract	Score		Matchpoints		Pair	
	N-S	E-W	N-S	E-W	N-S	E-W
5♦ E -3	150		4.00	0.00	5-Stukes-Gaines	6-Boothe-Wilson
2♥ S 3	140		3.00	1.00	1-Session-Kelly-Williams	5-Prester-Green
2♠ S 2	110		2.00	2.00	3-Straker-McBean	3-Jackson-Mercer
4♥ S -1		100	1.00	3.00	6-Bond-Gerdes	2-Copeland-Watford
4♥ S -3		300	0.00	4.00	2-Hewitt-Hewitt	1-Brooks-Duperly


**Board 13**  
 North Deals  
 Both Vul

♠ 7 4 ♥ 4 2 ♦ Q 7 6 5 4 ♣ K 10 5 3		♠ Q J 5 3 ♥ 9 7 6 5 ♦ 10 8 ♣ A Q 6  ♠ A K 10 ♥ Q J 10 3 ♦ A 9 ♣ J 9 8 2  ♠ 9 8 6 2 ♥ A K 8 ♦ K J 3 2 ♣ 7 4
---	--	---

NS 2♠; EW 1N; EW 2♣; EW 1♦; Par +110

Contract	Score		Matchpoints		Pair	Pair
	N-S	E-W	N-S	E-W		
1 N T E -1	100		4.00	0.00	6-Bond-Gerdes	1-Brooks-Duperly
2 ♦ S -1		100	2.50	1.50	3-Straker-McBean	2-Copeland-Watford
2 ♠ S -1		100	2.50	1.50	4-Wallace-Edgerton-Norman	4-Demos-Wright
1 N T E 2		120	1.00	3.00	2-Hewitt-Hewitt	6-Boothe-Wilson
1 N T E 3		150	0.00	4.00	1-Session-Kelly-Williams	3-Jackson-Mercer

**Board 14**  
 East Deals  
 None Vul

♠ Q 5 2 ♥ 7 3 ♦ K Q 8 7 3 ♣ 9 6 5	♠ 9 4 3 ♥ K Q 10 5 ♦ 5 4 2 ♣ K J 3		♠ A K J 7 ♥ A J 4 ♦ 10 6 ♣ A Q 7 2
♠ 10 8 6 ♥ 9 8 6 2 ♦ A J 9 ♣ 10 8 4			

EW 5N; EW 5♠; EW 5♦; EW 3♥; EW 4♣; Par -460

Contract		Score		Matchpoints		Pair	Pair
		N-S	E-W	N-S	E-W		
2 ♣	E 3		110	3.00	1.00	2-Hewitt-Hewitt	6-Boothe-Wilson
1 ♠	E 2		110	3.00	1.00	3-Straker-McBean	2-Copeland-Watford
1 ♣	E 3		110	3.00	1.00	4-Wallace-Edgerton-Norman	4-Demos-Wright
1 NT	E 3		150	1.00	3.00	6-Bond-Gerdes	1-Brooks-Duperly
3 NT	E 3		400	0.00	4.00	1-Session-Kelly-Williams	3-Jackson-Mercer

**Board 15**  
 South Deals  
 N-S Vul

♠ K 10 5 3	♠ 7 2	♠ A 9 6 4
♥ K Q 8 5 2	♥ 10 9 6 3	♥ A 7 4
♦ 8	♦ J 10 4	♦ A 6 2
♣ A 9 7	♣ 10 8 3 2	♣ K J 5

W	N	E
S		


♠ Q J 8
♥ J
♦ K Q 9 7 5 3
♣ Q 6 4

EW 6♠; EW 5♥; EW 4N; EW 4♣; EW 1♦; Par -980

Contract	Score		Matchpoints			Pair	Pair
	N-S	E-W	N-S	E-W	N-S		
4♥ W 4		420	3.00	1.00	2-Hewitt-Hewitt	6-Boothe-Wilson	
4♥ W 4		420	3.00	1.00	3-Straker-McBean	2-Copeland-Watford	
4♥ W 4		420	3.00	1.00	6-Bond-Gerdes	1-Brooks-Duperly	
4♥ W 5		450	1.00	3.00	1-Session-Kelly-Williams	3-Jackson-Mercer	
6♠ E 6		980	0.00	4.00	4-Wallace-Edgerton-Norman	4-Demos-Wright	




**Board 16**  
West Deals  
E-W Vul

<p>♠ A 6 ♥ A 9 3 2 ♦ 8 3 ♣ K 10 6 3 2</p>		<p>♠ Q J 5 ♥ 8 4 ♦ A K 10 9 7 4 ♣ J 4</p> <p>♠ K 10 9 8 3 ♥ 10 7 6 ♦ 6 ♣ A Q 7 5</p> <p>♠ 7 4 2 ♥ K Q J 5 ♦ Q J 5 2 ♣ 9 8</p>
---	---	---

EW 5♣; EW 3♠; EW 3♥; EW 1N; NS 1♦; Par -600

Contract	Score		Matchpoints			Pair	Pair
	N-S	E-W	N-S	E-W	N-S		
Pass	Pass		4.00	0.00		3-Straker-McBean	2-Copeland-Watford
2♦ N-1		50	3.00	1.00		4-Wallace-Edgerton-Norman	4-Demos-Wright
1♠ E 3		140	2.00	2.00		2-Hewitt-Hewitt	6-Boothe-Wilson
4♦ N-3		150	0.50	3.50		1-Session-Kelly-Williams	3-Jackson-Mercer
4♦ N-3		150	0.50	3.50		6-Bond-Gerdes	1-Brooks-Duperly

**Board 17**  
 North Deals  
 None Vul

♠ A 9 ♥ A Q 8 2 ♦ A 4 ♣ K 10 8 7 4		♠ 8 7 2 ♥ J 10 6 3 ♦ J 10 6 2 ♣ Q 6  ♠ K Q 6 3 ♥ K 9 4 ♦ 9 8 7 3 ♣ A 3
♠ J 10 5 4 ♥ 7 5 ♦ K Q 5 ♣ J 9 5 2		

EW 6♥; EW 4N; EW 4♠; EW 5♣; EW 4♦; Par -980

Contract	Score		Matchpoints			Pair
	N-S	E-W	N-S	E-W	N-S	
3 NT E 3		400	3.50	0.50	4-Wallace-Edgerton-Norman	3-Jackson-Mercer
3 NT W 3		400	3.50	0.50	5-Stukes-Gaines	5-Prester-Green
3 NT E 4		430	1.50	2.50	2-Hewitt-Hewitt	4-Demos-Wright
3 NT W 4		430	1.50	2.50	3-Straker-McBean	1-Brooks-Duperly
3 NT W 6		490	0.00	4.00	1-Session-Kelly-Williams	2-Copeland-Watford

**Board 18**  
 East Deals  
 N-S Vul

♠ J 9 6 2 ♥ A K Q 10 8 3 ♦ 9 ♣ A 3		♠ K Q ♥ J 7 6 4 ♦ A 10 6 ♣ 10 7 5 2  ♠ A 10 7 ♥ 9 5 2 ♦ 8 2 ♣ K Q J 9 8  ♠ 8 5 4 3 ♥ — ♦ K Q J 7 5 4 3 ♣ 6 4
---	--	---

EW 5♥; EW 3♠; EW 4♣; NS 3♦; Par -450

Contract	Score		Matchpoints		Pair	Pair
	N-S	E-W	N-S	E-W		
3♥ W 5		200	4.00	0.00	4-Wallace-Edgerton-Norman	3-Jackson-Mercer
4♥ W 4		420	3.00	1.00	2-Hewitt-Hewitt	4-Demos-Wright
4♥ W 6		480	2.00	2.00	1-Session-Kelly-Williams	2-Copeland-Watford
5♦× S -2		500	1.00	3.00	5-Stukes-Gaines	5-Prester-Green
4♥× E 5		690	0.00	4.00	3-Straker-McBean	1-Brooks-Duperly


**Board 19**  
 South Deals  
 E-W Vul

♠ 9 5 3 ♥ 10 8 5 4 3 ♦ K 6 ♣ 10 7 2		♠ A 10 7 2 ♥ A Q ♦ 10 2 ♣ A Q 8 6 4  ♠ J 6 4 ♥ J 7 6 ♦ Q 8 7 ♣ K J 5 3  ♠ K Q 8 ♥ K 9 2 ♦ A J 9 5 4 3 ♣ 9
--	--	--

N 6N; NS 6♠; NS 6♦; S 5N; NS 5♣; NS 3♥; Par +990

Contract	Score		Matchpoints		Pair	Pair
	N-S	E-W	N-S	E-W		
3 NT N 6	490		3.00	1.00	1-Session-Kelly-Williams	2-Copeland-Watford
3 NT N 6	490		3.00	1.00	2-Hewitt-Hewitt	4-Demos-Wright
3 NT N 6	490		3.00	1.00	4-Wallace-Edgerton-Norman	3-Jackson-Mercer
3 NT N 4	430		1.00	3.00	3-Straker-McBean	1-Brooks-Duperly
3 NT N 3	400		0.00	4.00	5-Stukes-Gaines	5-Prester-Green


**Board 20**  
 West Deals  
 Both Vul

♠ K 6 ♥ A 9 7 4 ♦ 5 3 ♣ K J 7 5 2		♠ J 9 7 3 2 ♥ 6 5 ♦ K 6 4 ♣ A 4 3  ♠ A 10 8 4 ♥ J 10 3 2 ♦ A 10 2 ♣ 8 6  ♠ Q 5 ♥ K Q 8 ♦ Q J 9 8 7 ♣ Q 10 9
--	---	--

EW 4♥; EW 3♣; EW 1N; EW 1♠; NS 1♦; Par -620

Contract			Score		Matchpoints			Pair
			N-S	E-W	N-S	E-W	N-S	
2 ♠	N	2	110		4.00	0.00	4-Wallace-Edgerton-Norman	3-Jackson-Mercer
2 NT	W	-1	100		3.00	1.00	3-Straker-McBean	1-Brooks-Duperly
1 NT	S	1	90		2.00	2.00	5-Stukes-Gaines	5-Prester-Green
2 ♦	S	-1		100	1.00	3.00	1-Session-Kelly-Williams	2-Copeland-Watford
2 ♥	E	2		110	0.00	4.00	2-Hewitt-Hewitt	4-Demos-Wright

**Board 21**  
 North Deals  
 N-S Vul

♠ K J ♥ 10 4 ♦ K J 10 8 4 ♣ J 6 5 3		♠ 7 5 4 ♥ A K Q 7 ♦ A 9 2 ♣ K 10 7  ♠ A 9 2 ♥ J 9 8 6 2 ♦ Q 3 ♣ A Q 8  ♠ Q 10 8 6 3 ♥ 5 3 ♦ 7 6 5 ♣ 9 4 2
--	---	--

EW 3N; EW 3♥; EW 4♦; EW 3♣; EW 1♠; Par -400

Contract	Score		Matchpoints		Pair	Pair
	N-S	E-W	N-S	E-W		
1 NT W 1		90	4.00	0.00	2-Hewitt-Hewitt	3-Jackson-Mercer
2 ♠ S -1		100	3.00	1.00	3-Straker-McBean	5-Prester-Green
2 ♠ N -2		200	1.00	3.00	4-Wallace-Edgerton-Norman	2-Copeland-Watford
1 NT N -2		200	1.00	3.00	5-Stukes-Gaines	4-Demos-Wright
1 NT N -2		200	1.00	3.00	6-Bond-Gerdes	6-Boothe-Wilson

**Board 22**  
 East Deals  
 E-W Vul

♠ A ♥ 5 3 ♦ A K J 7 5 3 ♣ 9 5 4 2	<div style="display: inline-block; background-color: green; color: white; padding: 5px; border: 1px solid black;">           N            W     E            S         </div>	♠ J 8 4 ♥ J 10 8 6 2 ♦ 9 8 ♣ A K 6  ♠ Q 10 9 5 3 2 ♥ A K Q 7 ♦ 4 ♣ J 3  ♠ K 7 6 ♥ 9 4 ♦ Q 10 6 2 ♣ Q 10 8 7
--	---	--

EW 3♠; EW 2♥; EW 3♦; EW 1N; EW 1♣; Par -140

Contract	Score		Matchpoints			Pair
	N-S	E-W	N-S	E-W	N-S	
4 ♠ E -1	100		3.50	0.50	2-Hewitt-Hewitt	3-Jackson-Mercer
4 ♠ E -1	100		3.50	0.50	5-Stukes-Gaines	4-Demos-Wright
3 ♦ W 3		110	1.50	2.50	3-Straker-McBean	5-Prester-Green
3 ♦ W 3		110	1.50	2.50	4-Wallace-Edgerton-Norman	2-Copeland-Watford
3 ♠ E 3		140	0.00	4.00	6-Bond-Gerdes	6-Boothe-Wilson

**Board 23**  
 South Deals  
 Both Vul


♠ K Q 10 9 ♥ 9 5 ♦ J 10 8 5 3 ♣ J 2	♠ J 8 4 2 ♥ J 4 3 ♦ A Q 7 4 2 ♣ 10  <div style="display: inline-block; background-color: green; color: white; padding: 5px; border: 1px solid black;">           N            W     E            S         </div>	♠ A ♥ A Q 8 7 6 ♦ K 9 ♣ 8 7 6 5 4  ♠ 7 6 5 3 ♥ K 10 2 ♦ 6 ♣ A K Q 9 3
--	--	---

NS 3♠; NS 2N; NS 2♥; NS 2♣; Par +140

Contract	Score		Matchpoints			Pair	Pair
	N-S	E-W	N-S	E-W	N-S		
3♥ E-3	300		4.00	0.00	3-Straker-McBean	5-Prester-Green	
1♥ E-2	200		2.50	1.50	2-Hewitt-Hewitt	3-Jackson-Mercer	
2NT E-2	200		2.50	1.50	5-Stukes-Gaines	4-Demos-Wright	
2♣ S-3		300	0.50	3.50	4-Wallace-Edgerton-Norman	2-Copeland-Watford	
2♦ N-3		300	0.50	3.50	6-Bond-Gerdes	6-Boothe-Wilson	



**Board 24**  
 West Deals  
 None Vul

♠ A K 9 ♥ K J 9 6 2 ♦ 5 4 ♣ A J 2		♠ J 8 3 2 ♥ Q ♦ K Q 10 6 2 ♣ 7 5 3  ♠ 10 7 5 4 ♥ 8 4 3 ♦ J 7 3 ♣ Q 8 4  ♠ Q 6 ♥ A 10 7 5 ♦ A 9 8 ♣ K 10 9 6
--	---	--

NS 3♦; NS 1N; NS 2♣; NS 1♠; EW 1♥; Par +110

Contract	Score		Matchpoints			Pair
	N-S	E-W	N-S	E-W	N-S	
1♥ W 1		80	3.50	0.50	2-Hewitt-Hewitt	3-Jackson-Mercer
1♥ W 1		80	3.50	0.50	3-Straker-McBean	5-Prester-Green
3♣ S -2		100	2.00	2.00	6-Bond-Gerdes	6-Boothe-Wilson
1♥ W 2		110	0.50	3.50	4-Wallace-Edgerton-Norman	2-Copeland-Watford
1♥ W 2		110	0.50	3.50	5-Stukes-Gaines	4-Demos-Wright